

**Sierra S-Series
Smart Interface Software
User Manual**

Instruction Manual

Part Number IM-SIP
Revision D, December 2022



GLOBAL SUPPORT LOCATIONS: WE ARE HERE TO HELP!

CORPORATE HEADQUARTERS

5 Harris Court, Building L Monterey, CA 93940
Phone (831) 373-0200 (800) 866-0200 Fax (831) 373-4402
www.sierrainstruments.com

EUROPE HEADQUARTERS

Bijlmansweid 2 1934RE Egmond aan den Hoef
The Netherlands
Phone +31 72 5071400 Fax +31 72 5071401

ASIA HEADQUARTERS

Second Floor Building 5, Senpu Industrial Park
25 Hangdu Road Hangtoun Town
Pu Dong New District, Shanghai, P.R. China
Postal Code 201316
Phone: + 8621 5879 8521 Fax: +8621 5879 8586

IMPORTANT CUSTOMER NOTICE- OXYGEN SERVICE

Sierra Instruments, Inc. is not liable for any damage or personal injury, whatsoever, resulting from the use of Sierra Instruments standard mass flow meters for oxygen gas. You are responsible for determining if this mass flow meter is appropriate for your oxygen application. You are responsible for cleaning the mass flow meter to the degree required for your oxygen flow application.

© COPYRIGHT SIERRA INSTRUMENTS 2022

No part of this publication may be copied or distributed, transmitted, transcribed, stored in a retrieval system, or translated into any human or computer language, in any form or by any means, electronic, mechanical, manual, or otherwise, or disclosed to third parties without the express written permission of Sierra Instruments. The information contained in this manual is subject to change without notice.

TRADEMARKS

Smart Interface™ software is a trademark of Sierra Instruments, Inc. Other product and company names listed in this manual are trademarks or trade names of their respective manufacturers.

All Sierra products are Year 2000 compliant.

Table of Contents

Sierra's Smart Interface Software	5
Using This Manual	5
Note and Safety Information	6
Technical Assistance	6
Overview of Smart Flow Meters	7
System Requirements and Software Installation	8
Getting Started	9
Using the Smart Interface Software Basic Features	11
Write User Full Scale Value	12
Write K-factor Value	12
Write Zero Flow Cutoff Value	13
Write High Alarm Set Point Value	13
Write Low Alarm Set Point Value	14
Write Alarm Deadband Value	14
Select Speed of Response	15
Select Re-Read Smart Electronics	15
Using the Smart Interface Software Advanced Features	16
Voltage Zero and Span Adjust	17
Current Zero and Span Adjust	17
Save Variables to Disk	18
Read Variables from Disk	18
Using the Validation Screens	19
Read Curve	20
Run System Validation	21

List of Figures

1. Flow Meter RS-232 Connections	9
2. Smart Interface Software Main Screen	10
3. Advanced Options Screen	16
4. Validation Screen	19
5. Read Calibration Curve	20

Warnings and Cautions



Warning! The sensor validation procedure must be performed with the power off.

Warning! Do not open the flow meter enclosure in an hazardous area.



Caution! The flow meter must not be reporting or measuring gas flow during adjustments.

Caution! Adjusting zero or span will affect meter calibration.

Caution! To ensure back up of the factory settings, download and save the flow meter variables using the Smart Interface software.

Caution! Do not change the flow meter's factory full scale setting.

Caution! Do not power the flow meter with the sensor jumper wires disconnected. This could cause over-heating of the sensors and/or damage to the electronics.

Caution! During the validation procedures the output of the meter will be forced from the zero condition to the full scale condition. Make sure that any monitoring system is in the manual mode during validation.

Caution! Printed circuit boards are sensitive to electrostatic discharge. To avoid damaging the board, follow these precautions to minimize the risk of damage:

- before handling the assembly, discharge your body by touching a grounded, metal object
- handle all cards by their edges unless otherwise required
- when possible, use grounded electrostatic discharge wrist straps when handling sensitive components

Sierra's Smart Interface Software

Sierra's Smart Interface software is a menu-driven program used to configure and validate Sierra's Smart Mass Flow Meters. In the instrument shop or in the field, you can easily set up and test Smart flow meters. Communication is simple using a PC compatible computer with the supplied RS-232 interface cable and software.

The Smart electronics device located inside the flow meter enclosure integrates many convenient flow measurement functions. The programmable transmitter is adjustable using the Smart Interface software or via three push buttons built into the printed circuit board. Ten options are available for adjustment of flow monitoring parameters. To read parameters, you may use the software or the optional 2 x 12 character LCD display. The Smart Interface software Pause feature allows you to quickly disconnect from one meter and move to the next meter without exiting the program or interrupting power.

Overall, the easy-to-use Smart Interface software offers fast and convenient flow meter set up along with full instrument validation capabilities.

Using This Manual

This manual provides the information you need to utilize the features of the S-Series Smart Interface software. The manual is divided into the following sections:

- Smart flow meter features
- System requirements and software installation
- Getting started
- Using the Smart Interface software basic features
- Using the Smart Interface software advanced features
- Instrument validation

Note and Safety Information

We use note, caution and warning statements throughout this manual to draw your attention to important information.



Warning!

This statement appears with information that is important to protect people and equipment from damage. Pay very close attention to all warnings that apply to your application.



Caution!

This statement appears with information that is important for protecting your equipment and performance. Read and follow all cautions that apply to your application.



Note

This statement appears with a short message to alert you to an important detail.

Technical Assistance

If you encounter a problem operating your flow meter or the Smart Interface software, review the configuration information for each step of the wiring, set up and operation procedures. Verify that your settings and adjustments are consistent with factory recommendations. Refer to the standard flow meter instruction manual for specific troubleshooting advice.

If the problem persists after following the troubleshooting procedures outlined in the instruction manual, contact Sierra Instruments by fax or by E-mail (see inside front cover). For urgent phone support you may call (800) 866-0200 or (831) 373-0200 between 8:00 a.m. and 5:00 p.m. PST. In Europe contact Sierra Instruments bv at +31 20 6145810. When contacting Technical Support, make sure to include this information:

- the flow range, serial number and Sierra order number (all marked on the meter nameplate)
- the software version (visible at start up)
- the problem you are encountering and any corrective action taken
- application information (gas, pressure, temperature and piping configuration)

Overview of Smart Flow Meter Features

Dual Range or Dual Gas Calibration

If your meter is configured with a second factory calibrated flow range, use an external contact switch to select the desired range.

Adjustable User Full Scale

Select from 50% to 100% of the factory full scale setting (factory full scale is normally set to 125% of the user-specified maximum flow rate). This adjustment is made for each flow range.

Alarm Settings

Program high and low or window alarm limits independently for each flow range. (The solid state contacts are optically isolated.)

Adjust Alarm Deadband

You may enter an alarm deadband value that accommodates your alarm settings.

Flow Totalizer

The flow totalizer counts only the currently selected range. When ranges are switched the value of the non-selected range is stored in memory.

Time Response Delay

Select from a low response for faster tracking to a high response for a smoother output.

K-Factor

Use the K-factor feature to compensate for flow profile disturbances or specific application conditions. The K-factor is a multiplication factor applied to the linearized flow signal. You may set the K-factor individually for each flow range.

Zero and Span Outputs

Validate and adjust the settings to ensure the 4-20 mA, 0-5 VDC or optional 0-10 VDC output circuits are within specification.

Enable and Set Zero Flow Cut-off

This allows you to adjust the low-flow sensitivity which eliminates false readings caused by leaky valves or convection effects in the pipe.

Read and Print the Factory Configuration

Useful for ISO 9000 compliance and other quality audits.

Instrument Validation

Two simple tests offer complete “field-validation” of your Smart mass flow meter. Each test consists of an easy to follow set of instructions shown on progressive screens that “walk” you through the validation procedures.

The first test checks the system electronics, linearization and microprocessor functionality and is performed by injecting a known input value and confirming that the flow meter outputs the expected value. The second test checks that the instrument’s primary sensing elements have not drifted or shifted from their original calibration. This is accomplished by measuring the resistance of the velocity and temperature sensors and comparing the results to the NIST-traceable calibration data provided with the flow meter. Together, these tests confirm that your meter is working correctly and that the calibration variables did not drift, shift or change values.

System Requirements and Software Installation

Sierra's Smart Interface software is designed to run on your PC compatible computer with the following minimum system requirements:

- Windows 95 and above

Windows™ Software Installation

The Smart Interface software and its associated files can be downloaded at <https://www.sierrainstruments.com/products/sip/sip.html>. The installation process is simple and mostly automated.

If needed, verify the following COM port settings in port properties:

Bits per Second = 9600

Data Bits = 8

Parity = None

Stop Bits = 1

Flow Control = None

In Advanced, make sure FIFO buffer is selected.

Getting Started

Before booting the Smart Interface software, connect the Smart flow meter to your computer.

1. Locate the serial communications port "COM 1" or "COM 2" on your computer (if uncertain, check the computer manual). Plug the Smart Interface serial cable into the desired port.
2. Remove the flow meter cover. For square NEMA 4X enclosures, loosen four screws and remove the front cover. For round Hazardous-Area enclosures, use a 3/16 inch hex key to loosen the set screw and remove the smaller end.
3. Plug the polarized mating end of the cable into the polarized RS-232 connector on the flow meter terminal board. Turn on power to the flow meter.
4. Double click the SIP icon to load the Smart Interface software. When prompted, select the appropriate COM port, click *OK* to continue.



If *COM Error* appears on the screen, verify the RS-232 interface cable is securely connected at each end.

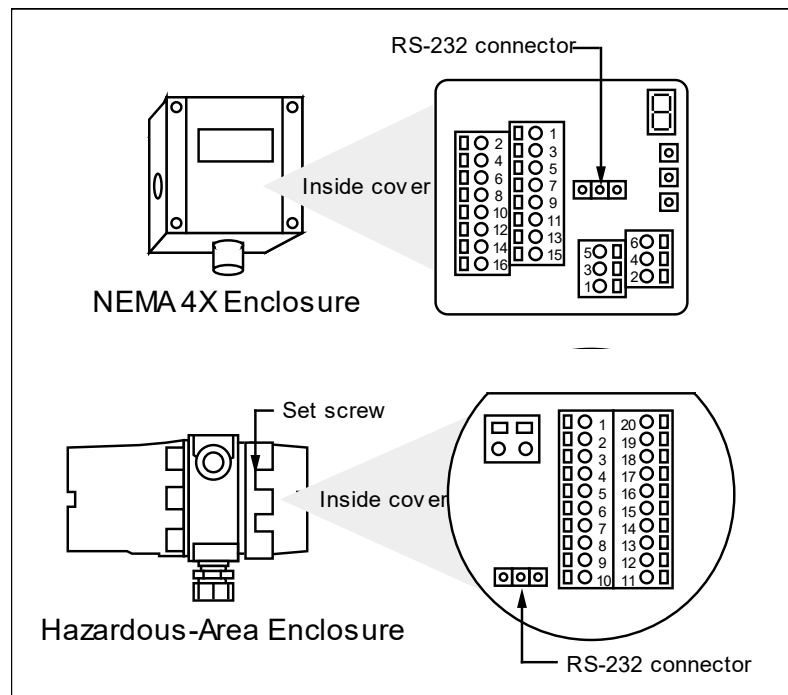


Figure 1. Flow Meter RS-232 Connection

The screenshot shows the 'Main Screen <Screen 1> Rev 1.00.29.vi' window. It features several panels: 'Constants' with fields for Calibration Date, Manufactured Date, PCA Rev., Firmware Rev., and Serial Number; 'Miscellaneous' with Zero Cut Off, Response, and Alarm Deadband settings; 'Alarms' with High and Low Alarm levels; 'Range 1' and 'Range 2' with Factory and User Full Scale (FS) and K-Factor values. At the bottom, there are buttons for 'Graph/Print', 'Pause/Resume', 'Advanced Options', 'Validation', and 'Quit'. A 'GO' button is also present near the 'Value to Write' field.

Annotations on the left side of the image include:

- Select task using the Function Selector (pointing to the 'GO' button)
- Enter new value here (pointing to the 'Value to Write' input field)
- Click Go to save the 'Value to Write' into the Smart electronics (pointing to the 'GO' button)
- Verify Range selection before changing parameters (pointing to the 'Range Indicator' section)
- Flow Rate and Totalizer are updated twice per (pointing to the 'Flow Rate' and 'Totalizer' displays)
- Select Graph/Print to collect and save graph data and print graph files (pointing to the 'Graph/Print' button)

Annotations on the right side of the image include:

- Select Validation to perform instrument validation procedures and view the calibration curve (pointing to the 'Validation' button)
- Select Advanced Options to reset the totalizer or enter new zero/span settings (pointing to the 'Advanced Options' button)
- Select Pause/Resume to disconnect from one flow meter and reconnect to another flow meter, or whenever power is removed from the Smart electronics (pointing to the 'Pause/Resume' button)

Figure 2.
Smart Interface Software
Main Screen

Using the Smart Interface Software Basic Features

The Sierra Smart Mass Flow Meter does not require any adjustment to be operational. If changes are needed, it's a good idea to make a backup file of the current configuration before entering any new parameters (see page 18). It is important to note that any changes made to the flow meter settings take immediate effect. Make sure that the flow meter is not actively monitoring or reporting flow to any master control system during programming. This software is intended as a set up program only and should not be used to continuously monitor flow.



Press CTRL-H to open the Smart Interface help screen. Help screen descriptions appear when the mouse is positioned over a command field or dialog box.

When you are ready to begin, you may use Smart Interface software main screen to:

- read system variables
- re-range the meter
- enter a new correction factor
- change the zero flow cut off value
- enter high and low alarm trip points
- change the alarm deadband value
- select a new speed of response

You may select the Advanced Options button (page 16) to save Smart settings to disk, upload data to the currently connected flow meter or adjust the zero and span analog outputs.

You may select the Validation button (page 19) to reset the totalizer, view calibration data or perform the flow meter validation procedures.

Smart mass flow meters have a second flow range, Range 2. (Calibration is optional for Range 2.) The Range Indicator on the lower left of the screen indicates the currently selected range. Make certain to check which range is active before making any changes to the user full scale, alarms, K-factor or totalizer reset. To select Range 2, jumper RNG2 with GND on the meter terminal block. Remove the jumper to return to Range 1. It is not necessary to restart the software when changing ranges. To install a permanent range selection contact switch, see the wiring instructions given in the flow meter manual.



Caution!

The flow meter must not be reporting or measuring gas flow during adjustments.

Write User Full Scale Value

The Write User Full Scale (UFS) feature adjusts the flow meter's engineering output range anywhere within 50% to 100% of the factory full scale (FFS). This feature allows you to re-range the voltage or current output of the meter to accommodate different flow rates.

To enter a new user full scale:

1. Verify the desired range is selected. Choose the **Function Selector** and select *Write User Full Scale*.
2. In the *Value to Write* selector type in the desired setting in flow units. (The program will automatically correct any out-of-range settings.)
3. After entering the value, click the *Go* button. Check the User FS indicator and confirm that the new User Full Scale value is correct.

Write K-Factor Value

The K-factor value is a multiplication factor applied to the output of the flow meter. Use the K-factor setting to accommodate varying flow profiles. This feature adjusts the meter's output signal without affecting the factory calibration curve (linearization). A K-factor value of 1.0 means the output value is not affected and is the factory default setting. You may enter any number from 0.5 to 5.0.

For example:

If you have an indicated value of 50 units and you know it should be 60 units, enter a K-factor of the ratio of the two or $60/50=1.2$

To enter a new K-factor:

1. Verify the desired range is selected. Choose the **Function Selector** and select *Write K Factor Value*.
2. In the *Value to Write* selector type in a number between 0.5 and 5.0. A value of 1.0 equals a K-factor of 1. (The program will automatically correct any out-of-range settings.)
3. After entering the new value, click the *Go* button. Check the K-Factor indicator and confirm that the new K-Factor value is correct.

**Caution!**

The flow meter must not be reporting or measuring gas flow during adjustments.

Write Zero Cut Off Value

Zero Cut Off Value selects the setting where output values are forced or “cut off” to indicate a zero value. Set the cut off value to 0% for no effect to a maximum setting of 10%. This setting is valid for both Range 1 and Range 2.

To enter a new zero cut off value:

1. Choose the **Function Selector** and select *Write Zero Cut Off Value*.
2. In the *Value to Write* selector type in a number between 0 and 10. (The program will automatically correct any out-of-range settings.)
3. After entering the new value, click the *Go* button. Check the Zero Cut Off indicator and confirm that the new value is correct.

Write High Alarm Set Point Value

The High Alarm Set Point Value selects the setting where the high alarm will trip. The valid input range is from 0% to 100% of the user full scale setting multiplied by the K-factor (set in flow units).

The alarms should have a minimum deadband of 3% to avoid "chattering." When setting a window alarm, the alarm set points must be at least twice the deadband value apart. We suggest at least a 10% separation between window alarm set points.

If you choose not to use the high alarm for a specific alarm function, Sierra recommends that you set the high alarm at 100% of the user full scale setting which creates an “over-range” indicator. Your flow meter will continue to indicate flow and generate a signal if the flow is over the maximum range, but will not operate within the specified accuracy.

To enter a high alarm set point value:

1. Verify the desired range is selected. Choose the **Function Selector** and select *Write High Alarm Set Point Value*.
2. In the *Value to Write* selector type in the desired set point directly in flow units. (The program will automatically correct any out-of-range settings.)

3. After entering the new value, click the *Go* button. Check the High Alarm indicator and confirm that the new value is correct.



Write Low Alarm Set Point Value

The Low Alarm Set Point Value selects the setting where the low alarm will trip. The valid input range is from 0% to 100% of the user full scale setting multiplied by the K-factor (set in flow units).

The alarms should have a minimum deadband of 3% to avoid "chattering." When setting a window alarm, the alarm set points must be at least twice the deadband value apart. We suggest at least a 10% separation between window alarm set points.

To enter a low alarm set point value:

1. Verify the desired range is selected. Choose the **Function Selector** and select *Write Low Alarm Set Point Value*.
2. In the *Value to Write* selector type in the desired set point directly in flow units. (The program will automatically correct any out-of-range settings.)
3. After entering the new value, click the *Go* button. Check the Low Alarm indicator and confirm that the new value is correct.

Write Alarm Deadband Value

The alarm deadband value selects the set point value for the high and low alarm hysteresis. The value entered is a percentage of user full scale multiplied by the K-factor. Valid input range is from 1% to 10%. A minimum value of 3% is suggested to prevent alarm relay chatter. This setting is valid for both Range 1 and Range 2.

To enter an alarm deadband set point value:

1. Choose the **Function Selector** and select *Write Alarm Deadband Value*.
2. In the *Value to Write* selector type in the desired setting. (The program will automatically correct any out-of-range settings.)
3. After entering the new value, click the *Go* button. Check the Alarm Deadband indicator and confirm that the new value is correct.

Caution!
The flow meter must not be reporting or measuring gas flow during adjustments.

Select Speed of Response

The Speed of Response setting allows you to change the digital smoothing filter response speed. Use a larger response time (7.2 seconds maximum) for better smoothing or a smaller response time for faster tracking. This setting is valid for both Range 1 and Range 2.

To enter a speed of response value:

1. Choose the **Function Selector** and select *Write Speed of Response*.
2. In the *Value to Write* selector type in the desired setting in seconds. (The program will automatically correct any out-of-range settings.)
3. After entering the new value, click the *Go* button. Check the Response indicator and confirm that the new value is correct.

Select Re-Read Smart Electronics

Re-Read Smart Electronics allows you to view the complete set of constants stored within the flow meter electronics. Use this function to check the currently connected flow meter's configuration.

To re-read the Smart electronics variables:

1. Verify the desired range is selected. Choose the **Function Selector** and select *Re-Read Smart Electronics*.
2. Click the *Go* button. The Smart Interface software reads the variables stored in the flow meter electronics and displays the results on the screen.

Using the Smart Interface Software Advanced Features

Select the Advanced Options button to to:

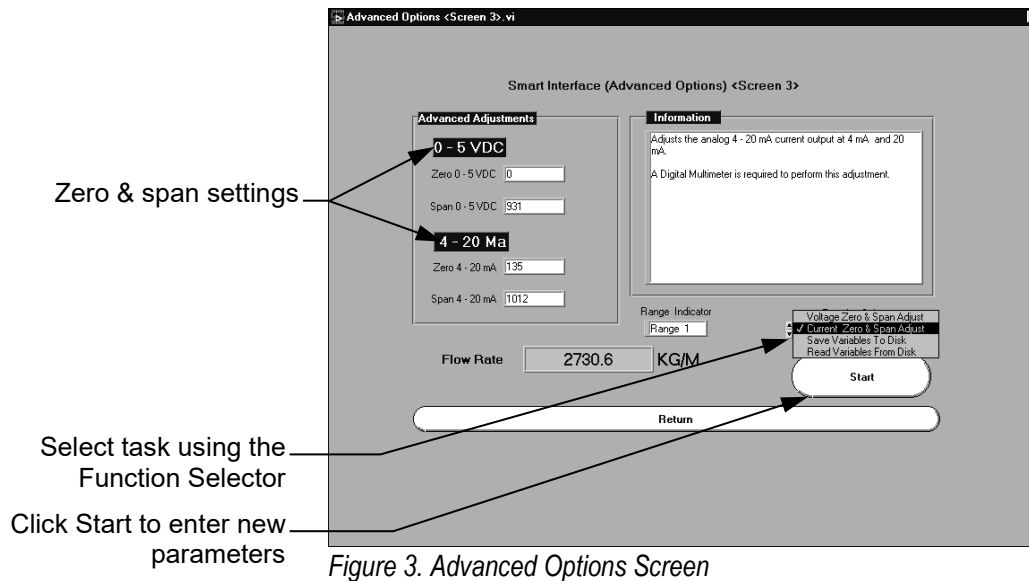


Press CTRL-H to open the Smart Interface help screen. Help screens are available when the mouse is positioned over a command field or dialog box.

Save Variables to Disk. This routine allows you to save the complete flow meter configuration to disk. As a safety measure, you should perform this routine to create a backup file of the existing configuration before making any changes.

Read Variables From Disk. This routine allows you to upload the variables from a data file into the currently connected flow meter. (You should perform “Save Variables To Disk” function before over-writing the system configuration with new information.)

Voltage Zero & Span Adjust and *Current Zero & Span Adjust* can be used to validate system operation and calibrate the digital to analog signals on the Smart electronics device. Additionally, zero and span adjustments can compensate for resistance in long signal cables connected to your data collection or indicating system. Adjusting zero and/or span affects meter calibration and affects both ranges. You must use a certified digital voltmeter (DVM) to adjust zero and span—the DVM acts as a standard. Please note that when adjusting zero the voltage signal will be driven to 0 VDC and when adjusting span the voltage signal will be driven to 5 VDC (or 10 VDC if equipped with the 0-10 V output option), or when adjusting zero the current signal will be driven to 4 mA and when adjusting span the current signal will be driven to 20 mA.



Voltage Zero & Span Adjust



Caution!

The flow meter must not be reporting or measuring gas flow during adjustments. Adjusting zero or span will affect meter calibration.



Warning!

Do not open the flow meter enclosure in a hazardous area.

Record the current values shown on the screen before making any changes to the zero and span settings.

1. Set the DVM to voltage mode and connect between Vout (+) and Vout (–) on the flow meter terminal block.
2. Select *Advanced Options* from the main screen. Choose the **Function Selector** and select *Voltage Zero & Span Adjust*.
3. In the **DVM Reading Control** selector type in the zero voltage shown on the DVM. Click *Continue*.
4. Adjust the **Zero Control** selector to attain a DVM reading of no less than 0.008 VDC. (You cannot enter negative numbers.) After entering the new value, click *Continue*.
5. In the **DVM Reading Control** selector type in the span voltage shown on the DVM. Click *Continue*.
6. Adjust the **Span Control** selector to attain a DVM reading of 4.99 to 5.01 VDC. After entering the new value, click *Continue* to return to the Advanced Options screen. Check the 0-5 VDC indicators to confirm the new values.

Current Zero & Span Adjust

Record the current values shown on the screen before making any changes to the zero and span settings.

1. Set the DVM to current mode. Connect the meter in the output loop by disconnecting the 4-20 out (+) wire from terminal. Connect + of DVM to the 4-20 out (+) terminal and the – of the DVM to the wire you just disconnected. If no loop is present, connect the DVM between 4-20 out (+) and 4-20 out (–) on the flow meter terminal block. (For best results, use an 100 to 250 Ohm resistor in series with the DVM.)
2. Select *Advanced Options* from the main screen. Choose the **Function Selector** and select *Current Zero & Span Adjust*.
3. In the **DVM Reading Control** selector type in the zero current shown on the DVM. Click *Continue*. In the **DVM Reading Control** selector type in the span current shown on the DVM. Click *Continue*.
4. Adjust the **Zero Control** selector to attain a DVM reading between 3.95 and 4.05 mA. After entering the new value, click *Continue*.

5. Adjust the **Span Control** selector to attain a DVM reading between 19.95 to 20.05 mA. After entering the new value, click *Continue* to return to the Advanced Options screen. Check the 4-20 mA indicators to confirm the new values.

Save Variables to Disk

To save the configuration of the currently attached flow meter:

1. Select *Advanced Options* from the main screen. Choose the **Function Selector** and select *Save Variables to Disk*.
2. Select the desired filename and location. Click *OK* to continue. The system reads the original factory calibration data from the Smart flow meter electronics and stores the information on disk.
3. Click *Return* to return to the main screen.



Read Variables From Disk

Make sure you have a copy of the existing configuration file before replacing it with a new file. To upload a saved configuration file to the currently attached flow meter:

1. Select *Advanced Options* from the main screen. Choose the **Function Selector** and select *Read Variables From Disk*.
2. Click *OK* to continue. Enter the password *93940* and click *OK* to continue.
3. Select the desired file to upload. The file data is first displayed on the screen to allow any additional changes. If the settings are correct, select *Write Above Variables into the Smart Electronics Now*.
4. The software uploads the new configuration information to the attached Smart flow meter electronics.
5. Click *Return* to return to the Advanced Options screen. The new settings are immediately in effect.

Caution!
Do not change the flow meter's factory full scale setting.



Press CTRL-H to toggle the Smart Interface help screen. Help screens are available when the mouse is positioned over a command field or dialog box.

Using the Validation Screens

When selecting Validation from the main screen, the software displays the current calibration data for the attached flow meter including the bridge voltages (raw signal from the sensor) used for calibration, the flow meter's calibration parameters, the totalizer settings and the sensor temperature and resistance values.

You may use the Validation screen to:

Read Curve. This routine allows you to view and alter (password protected) the calibration data stored within the flow meter's Smart electronics.

Run System Validation. This routine guides you through the entire validation process and allows you to save and print the data.

Select *Reset Totalizer* to reset the totalizer to zero (the password is not required). Make sure the desired range is selected before resetting the flow totalizer.

Select Read Curve to view calibration data.

Select Run System Validation to perform validation procedures.

Select Reset Totalizer to reset the current range to a zero value.

Figure 4. Validation Screen

Read Curve

The *Read Curve* screen displays a graph of the calibration data stored in the Smart electronics. Unless you need to change the factory calibration, there is no need to use ANY function on this screen. The purpose of the Read Curve screen is to enable viewing of the raw sensor data that is then linearized (conditioned) to read out in a form easily output and displayed. The Smart electronics stores the raw calibration for each range in the on-board non volatile ram.

If you have a requirement to change the characteristics of the flow measuring system by adjusting the factory calibrated curve this screen provides infinite adjustment to alter the sensor calibration. For example, if the factory calibration indicates values lower than the actual values, record the BV and FLOW (Y) for the desired range and edit the values in the flow curve. By editing, the curve will adjust showing how the system will fit the curve to the new data. The blue dots represent the raw data, the red line represents the fitted curve and the green line represents the curve presently residing in the Smart electronics. If the red and green lines differ after changing the data, select Save Data and Burn Prom to load the new data into the Smart electronics. For your protection, the Save Data and Burn Prom command is password protected and should only be used after consulting a Sierra factory representative.

Adjustable BV/Flow values

Caution!
Do not change the last flow value (factory full scale, 47.00 in this example)

Current point selected on the flow curve

Data burned into memory

Adds data point fields

Select Arrange Data to sort and re-distribute the BV/Flow values

Switch between 0-5 VDC or 4-20 mA output data

Sierra Calibration Curve Range 1

BV (X)	0-5 VDC	FLOW (Y)	0-5 OUT	% Diff
2.865	0.000	0.000	0.00	0.00
4.834	1.532	1.01	0.107	-0.04
4.834	1.532	1.01	0.107	-0.04
5.704	2.209	2.01	0.214	0.11
6.611	2.915	5.02	0.534	-0.04
7.507	3.612	12.02	1.279	-0.02
8.333	3.966	16.01	1.703	0.02
8.333	4.254	24.01	2.954	0.01
8.847	4.65	35.01	3.724	-0.01
9.291	5.000	47.00	5.000	0.00
0.000	0.000	0.00	0.00	0.00
0.000	0.000	0.00	0.00	0.00

Polynomial
 $y = +35.7036 \cdot x^5 + 88.544E-3x^4 + 1.308E+0x^3 - 966.219E-3x^2 + 316.280E-3x^4 - 18.570E-3x^5$

TABLE
 Non Linear Scaled Output
 0-5 VDC 4-20 mA

Sierra Calibration Curve Range 1

Graph showing Calibration flow curve (red line) and Graph detail (green line).

Graph tools

Select Restore to revert to the original configuration settings

Select Save Data and Burn Prom to write new calibration data into the Smart electronics

Select Read Prom to read the data stored in the Smart electronics

Figure 4.
Read Calibration Curve

**Caution!**

During the validation procedures the output of the flow meter will be forced from the zero condition to the full scale condition. Make sure that any monitoring system is in manual mode during validation.

Run System Validation

System validation is a method of confirming that the entire system is performing to the original factory specifications. You will need the following equipment to perform the validation procedures:

- certified digital multimeter with minimum 4 character resolution, accuracy of at least $\pm 0.1\%$ of range
- small pot adjusting tool (screwdriver)

The validation procedure consists of four steps:

D/A Output Validation confirms that the analog outputs are within factory specifications. This is achieved by driving the analog output to a zero condition and then a full scale condition while monitoring the results with the digital multimeter. (This mode is also useful for validating any attached data acquisition device as well as the Smart electronics.)

Electronics Validation confirms that the system has maintained the capability to output the correct value corresponding to the original factory calibration. This is achieved by applying a voltage to simulate flow from 0% to 100% of user full scale and verifying the results with the digital multimeter.

Sensor Validation confirms that the sensors have not drifted over time by measuring the resistance of both sensors. This procedure requires removing power from the flow meter. Sensors are validated by removing power and measuring the resistance of each sensor. Since the sensors are PT elements and are in close proximity to one another, it is assumed that the measured temperature of the two will match within 10 degrees centigrade. If the sensors are within 10 degrees C of each other, they are assumed to be in the same condition as when they left the factory. (Before validation, perform a visual inspection and cleaning if you suspect the sensors are coated by particulate matter.)

The *Report* command provides a file and printed report of the validation test results in either an ASCII or graphic format.

Select **Validation** from the Smart Interface software main screen. Select **Run System Validation** from the validation screen. Select enclosure type, E or EN. To begin the validation procedure:



Warning!

Do not open the flow meter enclosure in a hazardous area.

Step 1. D/A Outputs Validation

1. Select **D/A Outputs**. Select the output signal you wish to monitor for this test, 4-20 mA, 0-5 VDC or 0-10 VDC (optional). Click *Continue*.
2. Connect the flow meter as shown on the screen. For the Zero Condition Test, enter the current output value as displayed on the digital multimeter. Click *Continue*.
3. For the Span Condition Test, enter the current output value as displayed on the digital multimeter. Click *OK* to continue. The Smart Interface software returns to the validation screen and indicates the D/A Outputs pass/fail status.

Step 2. Electronics Validation

1. Select **Electronics** to begin the next validation step. (The user full scale and/or the k-factor are automatically adjusted to the required factory defaults for this test.)
2. Access the Smart electronics device and locate jumper J1. Move this jumper from the *RUN* position to the *CAL* position.
3. Connect the flow meter as shown on the screen.
4. To validate the 0% condition, turn the CAL pot until the digital multimeter indicates the displayed BV value. Enter the measured value in the Indicated Value selector. Click *OK* to continue.
5. Repeat Step 4 to validate the 25%, 50%, 75% and 100% conditions.
6. When complete, replace jumper J1 to the *RUN* position. The Smart Interface software returns to the validation screen and indicates the Electronics pass/fail status. (Also, the user full scale and K-factor are automatically returned to their original settings.)

**Warning!**

The sensor validation procedure must be performed with the power off.

**Caution!**

Do not power the flow meter with the sensor jumper disconnected. This could cause overheating of the sensor and/or damage to the electronics.

Step 3. Sensor Validation

1. Select **Sensors** to continue with sensor validation.
2. **Turn off power to the flow meter. If the sensor probe is flowing air allow a 3 minute cool-down before continuing. If the probe is on the bench allow a 6 minute cool-down before continuing.**
3. Locate and remove the sensor validation jumper as shown on the screen.
4. Connect the digital multimeter to the velocity sensor pins. Enter the measured resistance in Ohms for the velocity sensor in the dialog box.
5. Connect the digital multimeter to the temperature sensor pins. Enter the measured resistance in Ohms for the temperature sensor in the dialog box.
6. Replace the sensor validation jumper. Turn on power. The Smart Interface software returns to the validation screen and indicates the Sensors pass/fail status.

Step 4. Report

1. Select **Report**. Enter the desired filename and location. To print the validation report in straight ASCII text form, select the OPEN FILE button. Use a text editing software printer driver. To print the Validation Report in a graphics format, select the PRINT GRAPHICS button.
2. This completes system validation. Click *Return* to go to the Smart Interface software main screen.