

# RedyCompact® Series

This Quick Start Guide for the RedyCompact Series Mass Flow Meters and regulators gives easy set up and installation instructions. For complete instructions, please download and read the RedyCompact Series Instruction Manual. Before installing meter, follow the steps below.

## Step 1. Download Instruction Manual

To get technical information, download the RedyCompact Series Instruction Manual at [sierrainstruments.com/redycompact-manual](http://sierrainstruments.com/redycompact-manual)



## Safety and General Information

1. For safe operation, please consider the process and ambient conditions for which the device is designed and specified at the time of delivery. This information can be found on the data label on the instrument housing and in the Instruction Manual.
2. Do not remove the electronics housing to prevent damage to the unit. A damaged hologram seal will void the warranty.
3. There are no serviceable parts inside the unit. Repairs must be performed by qualified personnel only.

## Installation and Electrical Connection

1. Do not use Teflon® tape or liquid sealant on the process connections.
2. Please ensure that the piping is clean and purged before you connect the flow meter.
  - ⚠ **Note** Your Sierra sales representative can help you to source suitable O-rings, elastomeric seals, fittings and filters.
3. The gas used must be clean and dry.
4. For particle protection, we recommend to install a 50µm filter at the inlet.
5. Please refer to the RedyCompact Instruction Manual for detailed instruction on mounting orientation and location.
6. Please verify a proper electrical connection. If you use the external 24 VDC power supply, it is strongly recommended to have this device grounded.
7. For battery units the default setting is that the unit switches off 15 minutes after you last touched the screen. You can disable the «Auto power off» in the settings, for example for consumption measurements see the Instruction Manual.
  - ⚠ **Note** The current consumption depends on the instrument version. Please refer to the information in the Instruction Manual.

## General Operation

- !** **Note** The RedyCompact has a modern touch screen. You can operate the unit by touching the screen with your fingers. Please do not use sharp objects like ballpoints.

**Switching the unit on:** When the unit is powered by a battery, you have to touch and hold the screen for three seconds to switch the unit on. Stop touching the screen once you see something on the display. If you continue to touch the display during start-up, you will enter the service mode (for USB firmware update only). To exit from the service mode, touch the screen for five seconds. When the unit is powered with an external supply (24 VDC/USB), the device switches on automatically.

**Home Screens:** The selectable home screens show you all the information you need. You can switch between home screens by touching the display for about a second.

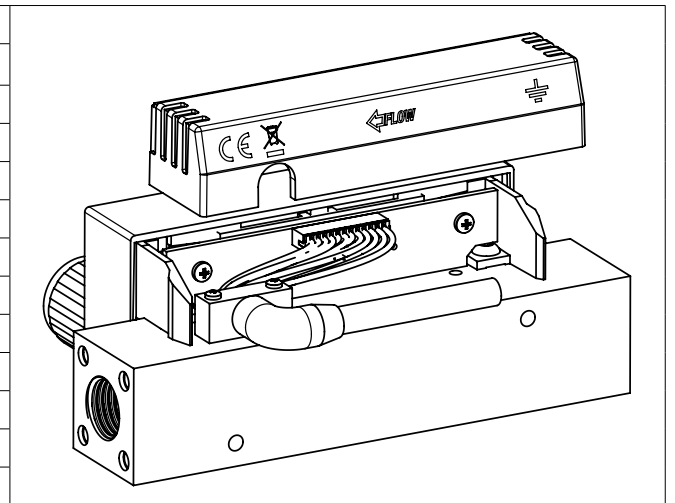
**Menu:** To enter the menu, just touch the screen (no matter where) for more than one second. Once you are in the menu, use the control buttons on the bottom to navigate through the functions/settings.



## Electrical Connection & Alarm Module

The optional 24 Vdc version (use 8...30 Vdc, min. 150mA power supply) of the compact has a 12 pin connection cable with configuration according to the table below. 1+2 are for the power supply, 3-12 are for the alarm module.

PIN	Color	Assignment
1	red	PRW+
2	black	PRW-
3	white	IN2
4	brown	IN1
5	green	IN.GND
6	yellow	OUT3.NO
7	grey	OUT3.NC
8	pink	OUT3.COM
9	blue	OUT2.A
10	violet	OUT2.B
11	grey-pink	OUT1.A
12	red-blue	OUT.B

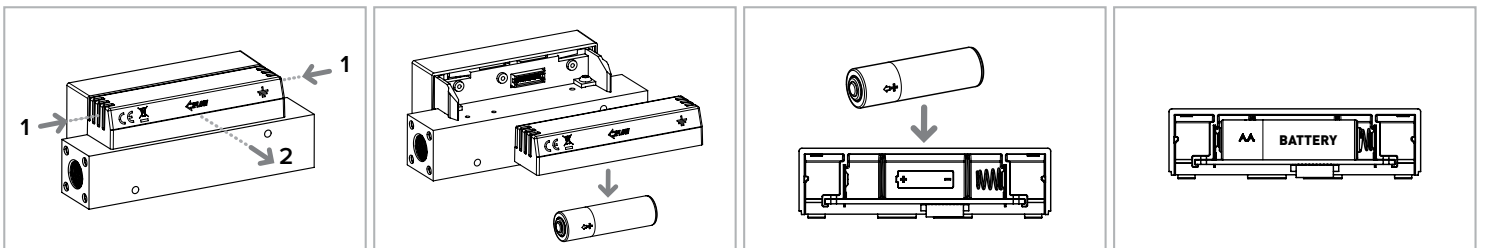


## Battery/Battery Replacement

The battery operated RedyCompact is powered by a standard AA battery.

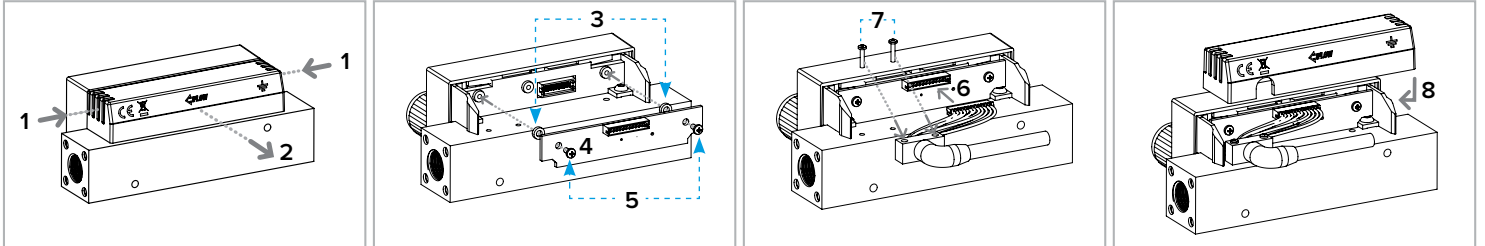
- !** **Warning** Do not use rechargeable batteries, and remove the battery if the unit is not used for a longer period of time. This helps to prevent damage to the device.

**Battery Replacement:** Hold the RedyCompact on the main body with one hand. Push with two fingers on both sides where the plastic notches are located (1) and pull off the battery housing (2). Please observe the polarity of the battery.



## Change from Battery to External Supply or Alarm Module

1. Hold the RedyCompact on the main body with one hand. Push with two fingers on both sides where the plastic notches are located (1) and pull off the battery housing (2).
2. Mount the electronic board (4) with the supplied washers (3) and screws (5) to the back of the compact.
3. Plug in the (6) cable into the electronic board (4) and mount the cable tension relieve on the body of the compact with the two screws (7).
4. Make sure the cable is secured.
5. Finally place the plastic cover over the power supply module (8).



**Note** For the electrical connections please refer to page 2 of this Quick Start Guide or the Instruction Manual.

## Micro-USB interface

The RedyCompact has a built-in Micro-USB connector (DIN 62684), which can be used for external power supply, to activate the backlight and to upgrade the firmware.

**Note** No data can be read out through the Micro-USB interface. The unit has no digital output.

## Limited Warranty Policy – Register Online

All Sierra products are warranted to be free from defects in material and workmanship and will be repaired or replaced at no charge to Buyer, provided return or rejection of product is made within a reasonable period but no longer than three (3) years for calibration and non-calibration defects, from date of delivery.

To assure warranty service, customers must register their products online on Sierra's website. Online registration at of all of your Sierra products is required for our warranty process. Read complete warranty policy at [sierrainstruments.com/warranty](http://sierrainstruments.com/warranty).



**Note:** Please dispose of the device in an environmentally friendly way (recycle).

CONTACT SIERRA

5 Harris Court, Building L / Monterey, CA 93940 / USA

USA: 800.866.0200 / 831.373.0200

Europe: +31.72.5071400

China: +8621 5879 8522

Email: [techsupport@sierrainstruments.com](mailto:techsupport@sierrainstruments.com) or [info@sierrainstruments.com](mailto:info@sierrainstruments.com)

For global locations, visit: [sierrainstruments.com/locations](http://sierrainstruments.com/locations)

[www.sierrainstruments.com](http://www.sierrainstruments.com)





We Understand Flow is Tough.  
We can solve this together.



[sierrainstruments.com/RedyCompact](http://sierrainstruments.com/RedyCompact)